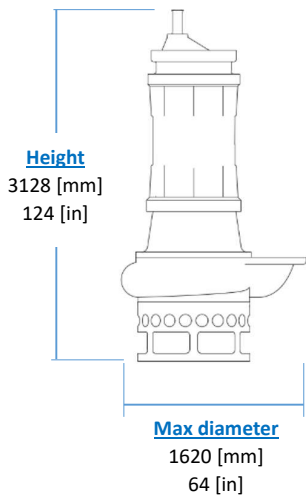
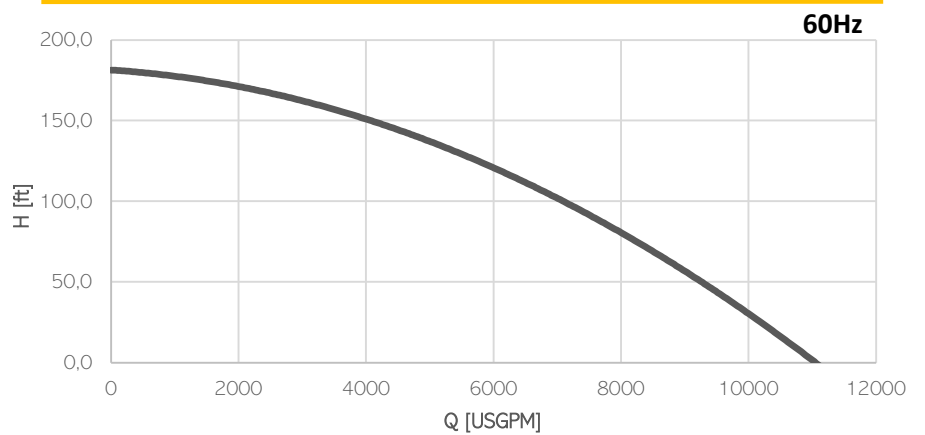
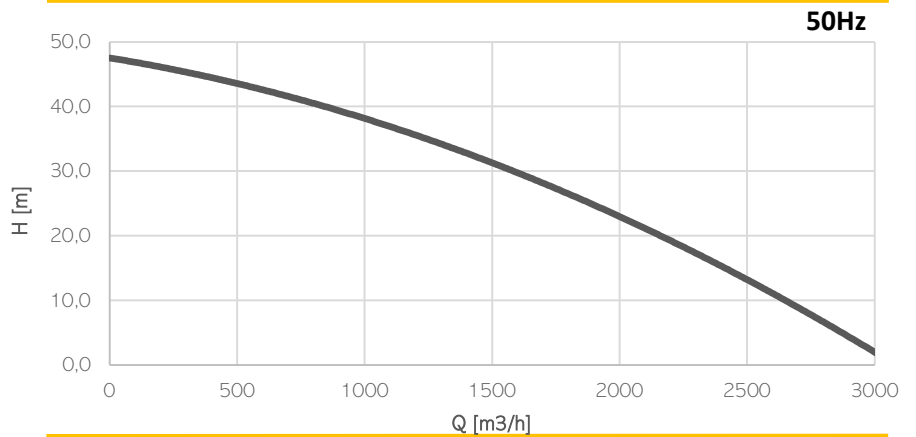


ELECTRIC PUMP EL300



KG
Weight
(without cable)
5170 [kg]
11400 [lb]

Electrical motor

Insulation class H

Cable

2 x H07RN-F 4G95 length 20m

Operating Conditions

- Max liquid temperature 35°C
- Min Submersion depth 2900 mm

Model	EL300	
Brake Power [kW HP]	240 322	
Electric Power [kW HP]	255 342	
Frequency [Hz]	50	60
Efficiency [%]	60%	60%
Number of Poles	8	8
RPM	745	895
Voltage [V]	400	460
Rated Current [A]	450	390
Solid handling [mm in]	120 4,7	
Discharge [DN-PN]	450 PN10	

Materials

Part	Standard
Casing	Cast Iron EN-GJS500
Body	Cast Iron EN-GJS500
Wear Parts	High chrome EN-GJN-HV600 (CH6)
Minimum hardness [HB]	550
Main shaft	High tensile 39NiCrMo3
PH Range	5-10

Seals and lubricants

Version	STANDARD	MG
Motor Side	LIPS	MECHANICAL
Impeller Side	LIPS	LIPS
Oil type	EP320	ISO32