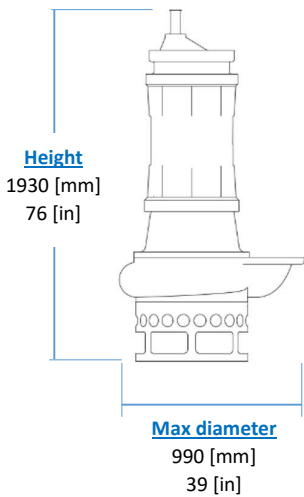
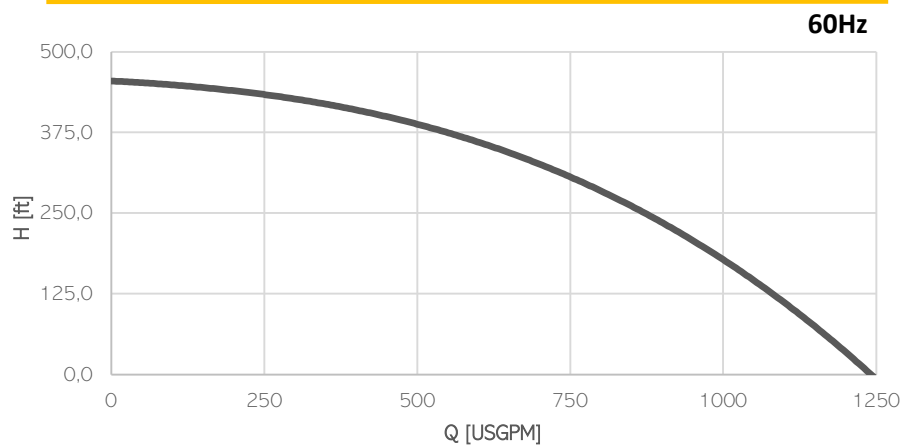
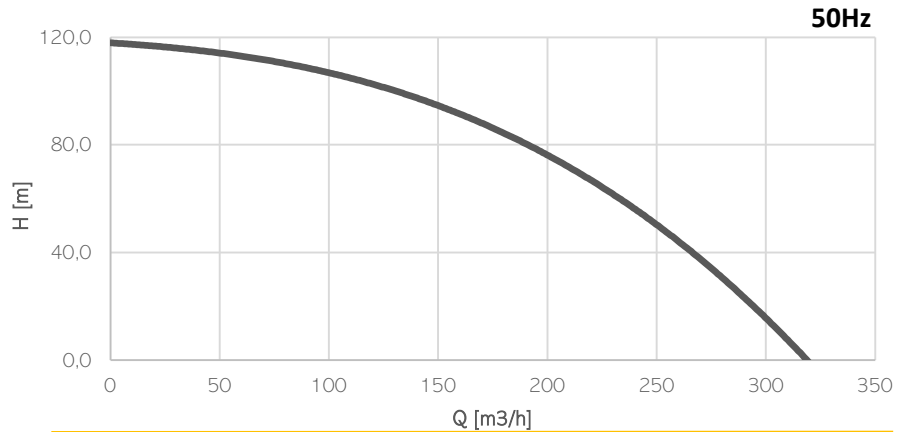


# ELECTRIC PUMP EL1204UHH



**KG**  
**Weight**  
(without cable)  
1850 [kg]  
4080 [lb]

Model	EL1204UHH	
Brake Power [kW HP]	120   160	
Electric Power [kW HP]	128   171	
Frequency [Hz]	50	60
Efficiency [%]	43%	42%
Number of Poles	4	4
RPM	1450	1740
Voltage [V]	400	460
Rated Current [A]	206	180
Solid handling [mm in]	20   0.8	
Discharge [DN-PN]	100-10	

### Materials

Part	Standard
Casing	Cast Iron EN-GJS800
Body	Cast Iron EN-GIL250
Wear Parts	High chrome EN-GJN-HV600 (CH6)
Minimum hardness [HB]	550
Main shaft	High tensile 39NiCrMo3
PH Range	5-10

### Seals and lubricants

Version	-	MG	MS
Motor Side	-	MECHANICAL	MECHANICAL
Impeller Side	-	LIPS	MECHANICAL
Oil type	-	ISO32	ISO32

### Electrical motor

Insulation class H

### Cable

2 x H07RN-F 4G35 length 20m

### Operating Conditions

- Max liquid temperature 35°C
- Min Submersion depth 1700 mm