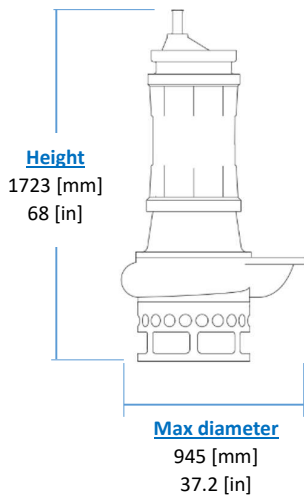
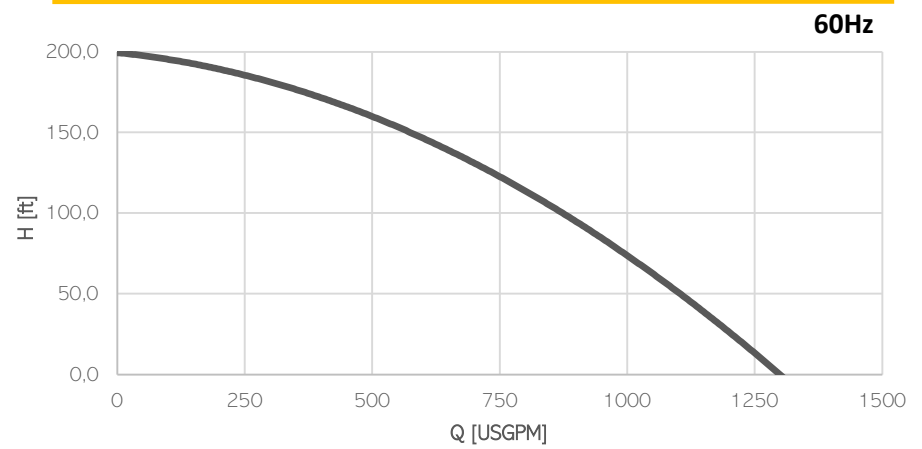
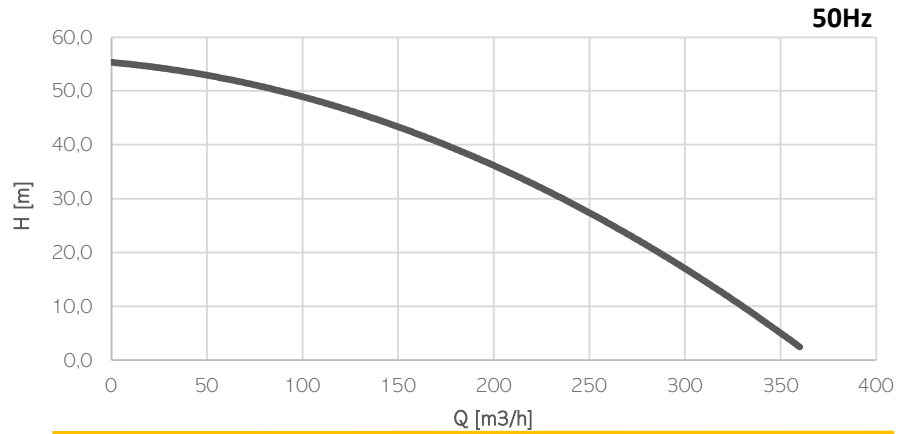


ELECTRIC PUMP EL604SHH



KG
Weight
(without cable)
1250 [kg]
2755 [lb]

Electrical motor

Insulation class H

Cable

1 x H07RN-F 4G35 length 20m

Operating Conditions

- Max liquid temperature 35°C
- Min Submersion depth 1510 mm

Model	EL604SHH	
Brake Power [kW HP]	90 120	
Electric Power [kW HP]	96 128	
Frequency [Hz]	50	60
Efficiency [%]	48%	47%
Number of Poles	4	4
RPM	1480	1776
Voltage [V]	400	460
Rated Current [A]	158	141
Solid handling [mm in]	35 1.4	
Discharge [DN-PN]	100-10	

Materials

Part	Standard
Casing	Cast Iron EN-GJS800
Body	Cast Iron EN-GIL250
Wear Parts	High chrome EN-GJN-HV600 (CH6)
Minimum hardness [HB]	550
Main shaft	High tensile 39NiCrMo3
PH Range	5-10

Seals and lubricants

Version	-	MG	MS
Motor Side	-	MECHANICAL	MECHANICAL
Impeller Side	-	LIPS	MECHANICAL
Oil type	-	ISO32	ISO32