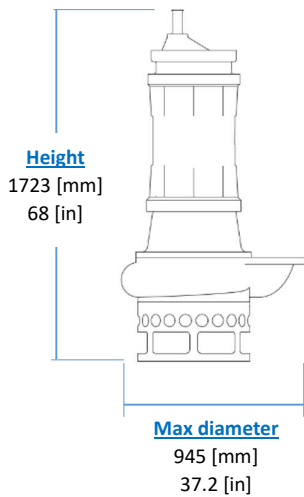
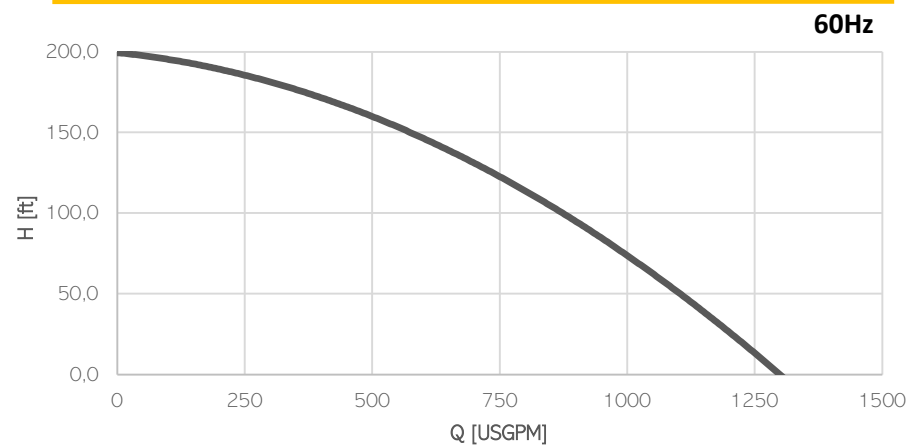
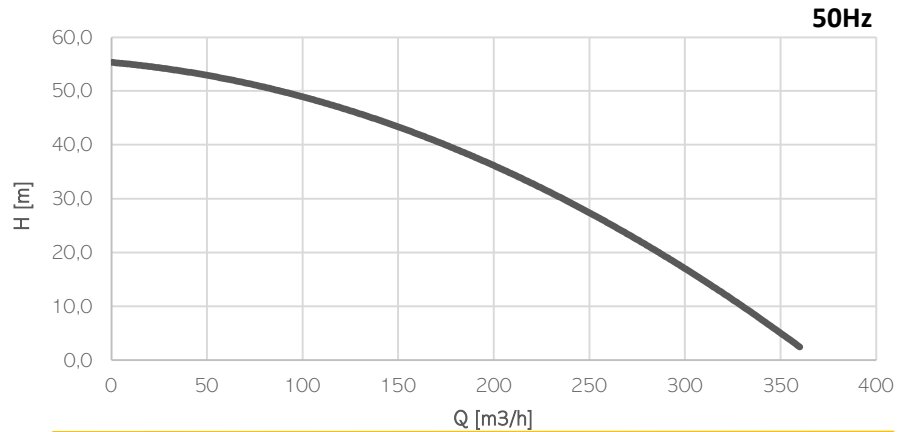


# ELECTRIC PUMP EL604HH



**KG**  
**Weight**  
(without cable)  
1250 [kg]  
2755 [lb]

## Electrical motor

Insulation class H

## Cable

1 x H07RN-F 4G35 length 20m

## Operating Conditions

- Max liquid temperature 35°C
- Min Submersion depth 1510 mm

Model	EL604HH	
Brake Power [kW HP]	75   100	
Electric Power [kW HP]	80   107	
Frequency [Hz]	50	60
Efficiency [%]	48%	47%
Number of Poles	4	4
RPM	1480	1776
Voltage [V]	400	460
Rated Current [A]	131	115
Solid handling [mm in]	35   1.4	
Discharge [DN-PN]	100-10	

## Materials

Part Part	Standard
Casing	Cast Iron EN-GJS800
Body	Cast Iron EN-GIL250
Wear Parts	High chrome EN-GJN-HV600 (CH6)
Minimum hardness [HB]	550
Main shaft	High tensile 39NiCrMo3
PH Range	5-10

## Seals and lubricants

Version	-	MG	MS
Motor Side	-	MECHANICAL	MECHANICAL
Impeller Side	-	LIPS	MECHANICAL
Oil type	-	ISO32	ISO32