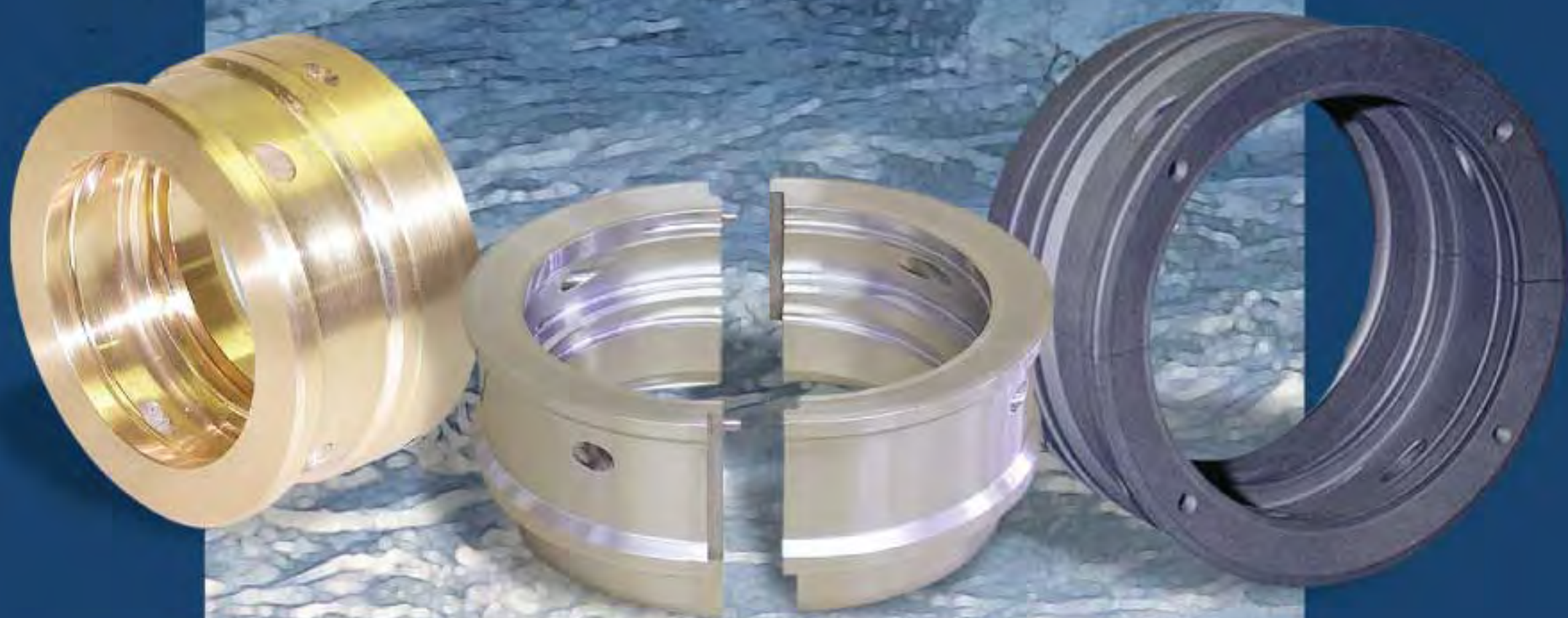


**You have  
some  
costly  
problems**



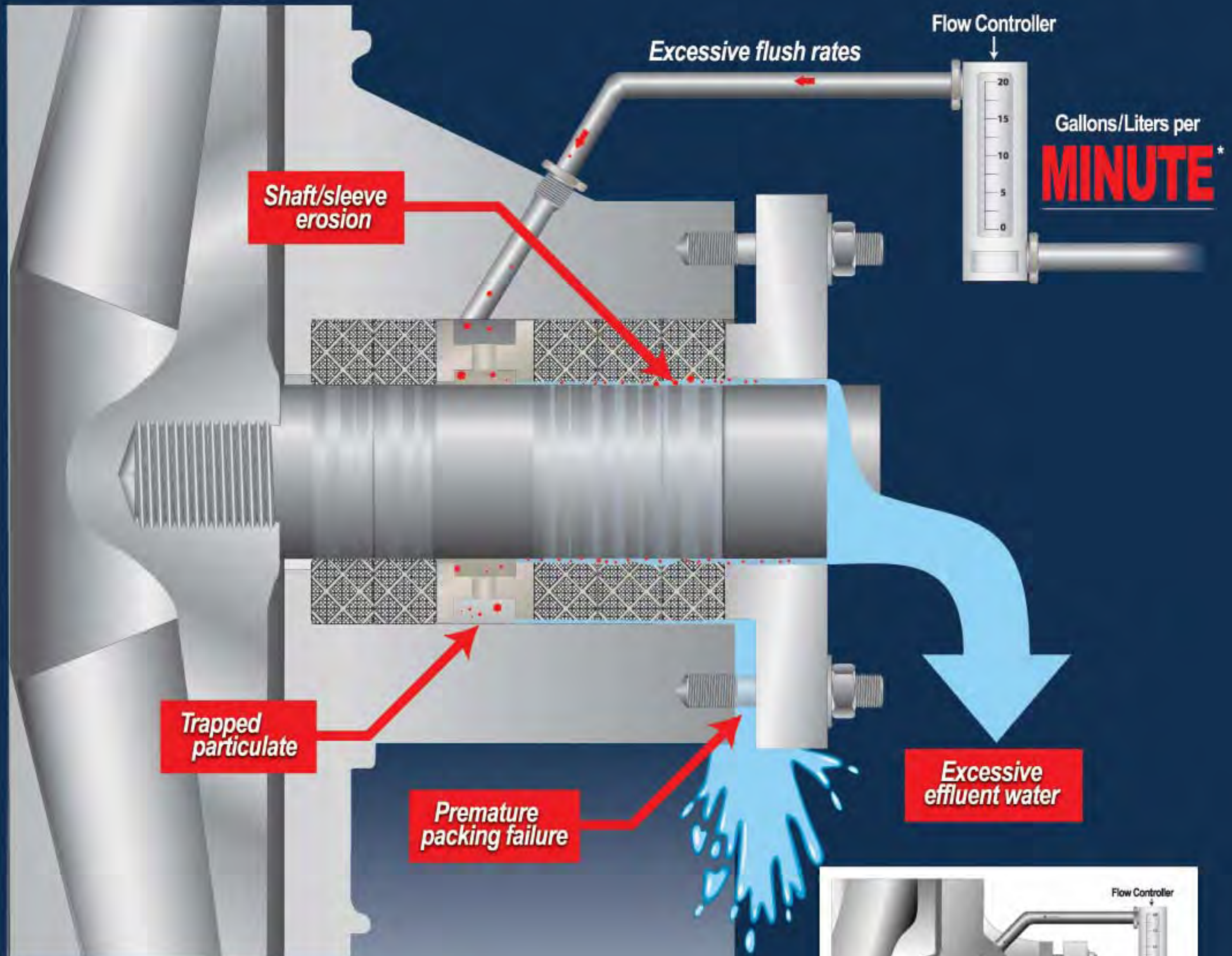
***SpiralTrac***<sup>TM</sup>

*Packing Version*



**saves money  
in all your fluid  
sealing applications**

# Problems



## Flush costs

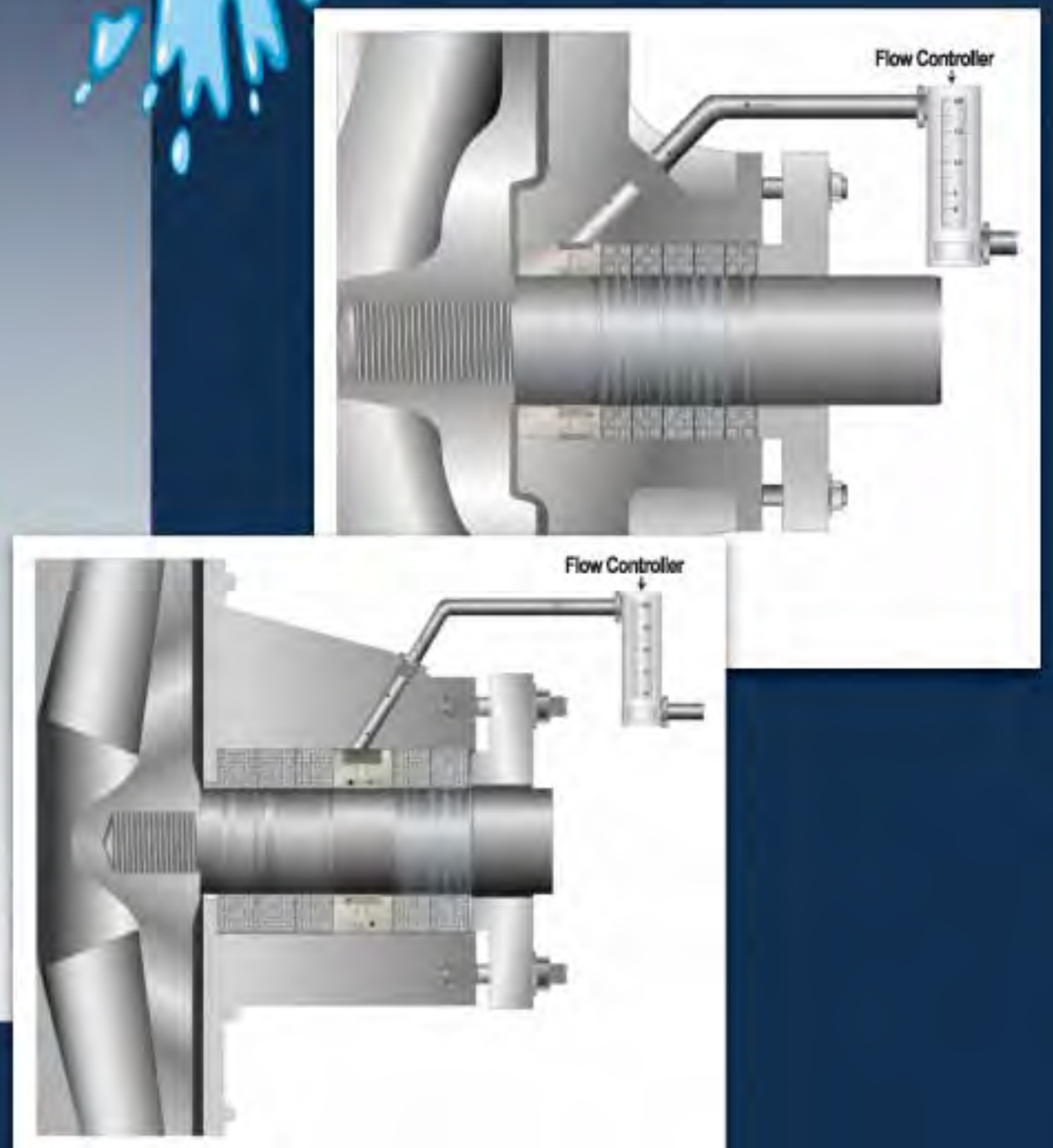
Effluent treatment  
Re-heating costs

## Maintenance and repair costs

Frequent shaft, sleeve & packing replacement  
Labor intensive – time consuming  
Housekeeping issues - process leakage

## Many equipment types

Different processes – different problems



# Solution

*SpiralTrac*

VERSION

**P**

Flow Controller

Check Valve

Gallons/Liters per  
**HOURL**\*

*Improves  
equipment MTBF*

*Reduces flush up  
to 60% or more\**

*Reduces leakage  
to clean drip rate  
or better*

*Improves packing  
performance &  
extends packing life*

## Greatly reduced flush rates

Immediate reduction in  
water consumption  
Less water = More savings

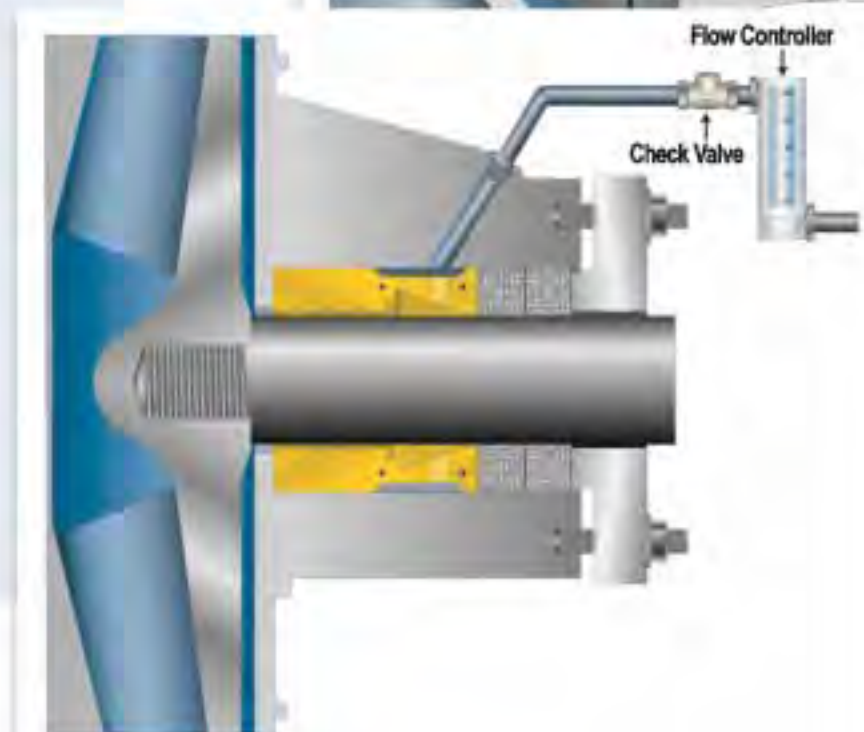
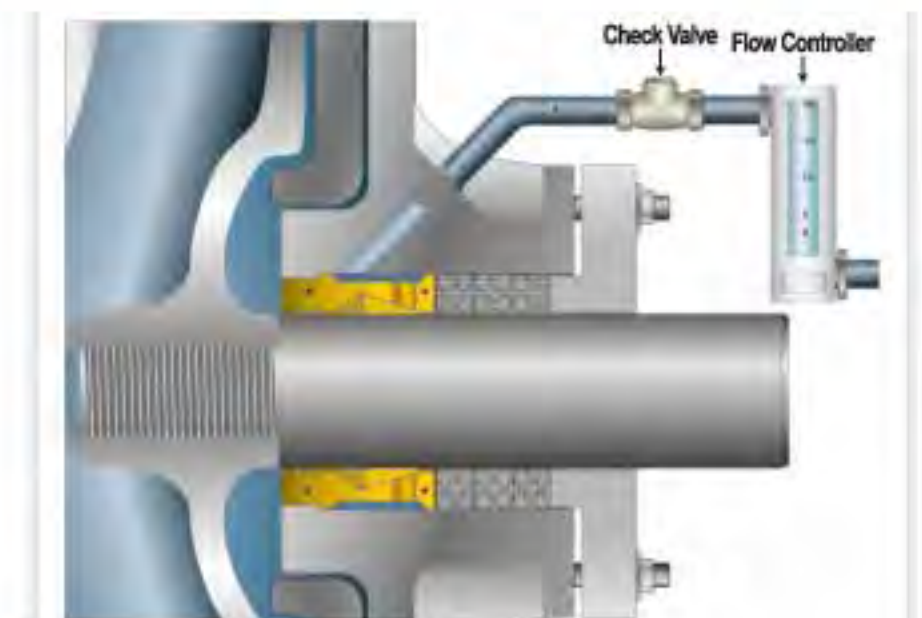
## Greatly improved equipment reliability

Abrasives removed — shaft/sleeve wear minimized  
Packing lasts longer — fewer and faster change outs  
Clean drip rate = Clean, safe area with no process loss!

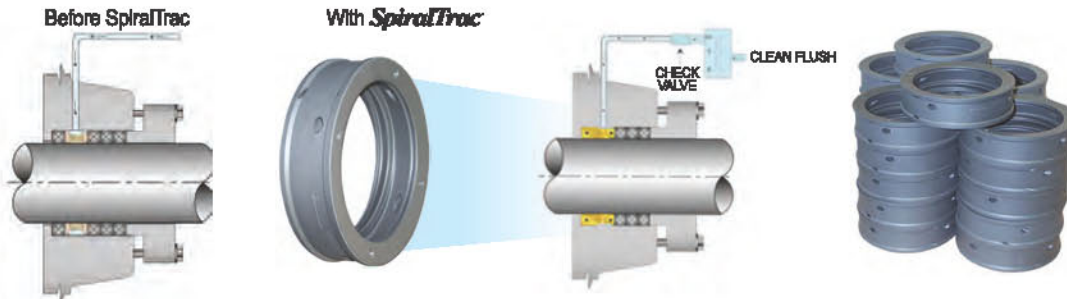
## Standard and custom designs

Any rotating process equipment can use *SpiralTrac*  
Metal or composite construction; solid or  
split; single or multistage

\* depending on application.

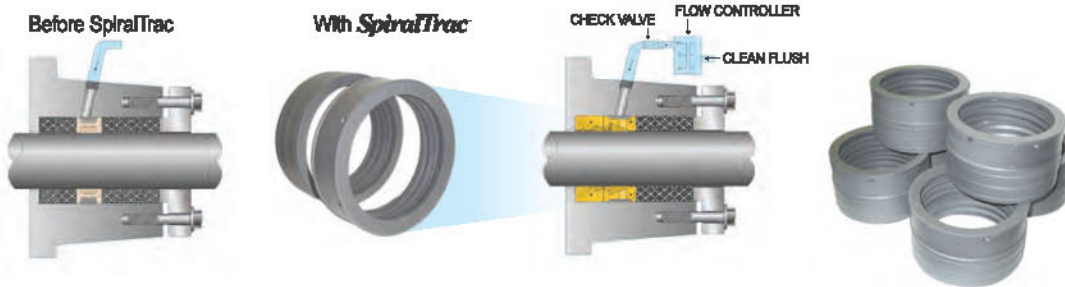


## Standard configurations



Reduced Flush · For use with packing only · No pump upgrade required

## OEM specifications



Reduced Flush · For use with packing only · No pump upgrade required

## Engineered solutions



Reduced Flush · For use with packing only · No pump upgrade required

## Also Available



**SpiralaTrac** Version **P** is now available with a replaceable tight clearance insert which can provide support for shaft deflection while removing abrasives from the stuffing box and extending the packing life.

SpiralaTrac™ Patented Technology is available Worldwide.



2456 Rocky Lake Drive, Waverley, NS, Canada B2R 1R6  
Toll Free: 800-884-7325 (North America only)  
Tel.: 902-861-3464 · Fax: 902-861-3522  
[www.enviroseal.ca](http://www.enviroseal.ca)